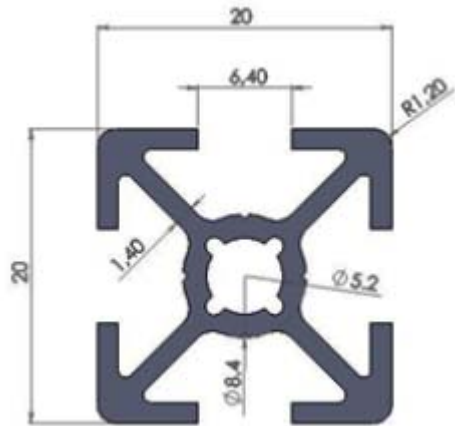


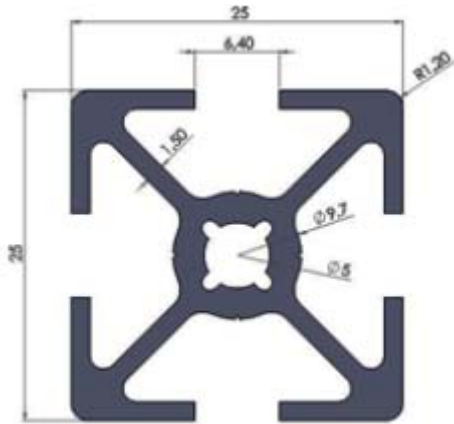
# 20x20 Sigma Profile



Code: 63 20X20 Sigma Profile

In the construction of machinery and apparatus cabinet, showcase, stand and panel type are areas where the moss

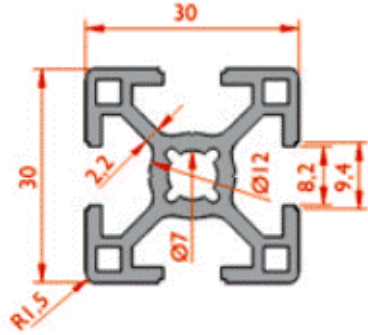
# 25x25 Sigma Profile



Code: 63 / A 25 X 25 Sigma Profile

In the construction of machinery and apparatus cabinet, showcase, stand and panel type are areas where the most use.

# 30X30 Sigma Profile

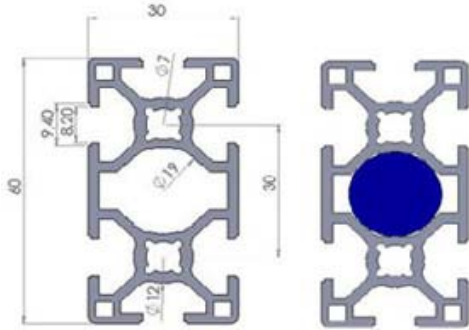


Code: 22 30X30 Sigma Profile

Machine is used in making maximum cabin. 30x30 profile also does not require the cost of construction is preferred. Other uses panels, showcase exhibition stands, etc...

Dış Ebat	Malzeme	L (m)	Atalet Momenti		Mukavemet Momenti		Alan	Kütle	Stok Kodu
			I <sub>x</sub>	I <sub>y</sub>	W <sub>x</sub>	W <sub>y</sub>			
30 x 30	6063	6	2,7 cm <sup>4</sup>	2,7 cm <sup>4</sup>	1,8 cm <sup>3</sup>	1,8 cm <sup>3</sup>	3,1 cm <sup>2</sup>	0,84 Kg/m.	22
30 x 60	6063	6	19,7 cm <sup>4</sup>	5,1 cm <sup>4</sup>	6,6 cm <sup>3</sup>	3,4 cm <sup>3</sup>	5,6 cm <sup>2</sup>	1,52 Kg/m.	26

# 30x60 Sigma Profile

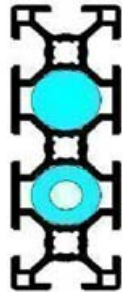
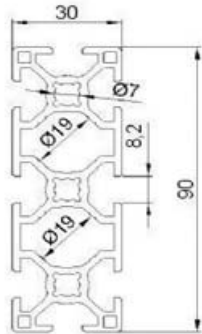


Code: 26 30x60 Sigma Profile

Applications in the cab chassis light weight machine next to the trunk lid is used in the construction of slide. Protection equipment in the lab setup, automation group productions and special conveyors are frequently used in the chassis.

Dış Ebat	Malzeme	L (m)	Atalet Momenti		Mukavemet Momenti		Alan	Kütle	Stok Kodu
			$I_x$	$I_y$	$W_x$	$W_y$			
30 x 30	6063	6	2,7 cm <sup>4</sup>	2,7 cm <sup>4</sup>	1,8 cm <sup>3</sup>	1,8 cm <sup>3</sup>	3,1 cm <sup>2</sup>	0,84 Kg/m.	22
30 x 60	6063	6	19,7 cm <sup>4</sup>	5,1 cm <sup>4</sup>	6,6 cm <sup>3</sup>	3,4 cm <sup>3</sup>	5,6 cm <sup>2</sup>	1,52 Kg/m.	26

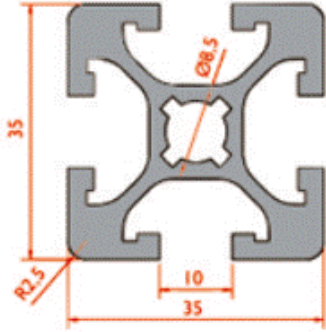
# Sigma Profile 30x90



Code: 19 30 X 90 Sigma Profile

This profile chassis next to the machine chassis and body profile as the conveyor can be used. Side on the field 3 lü channel feature allows broadband connection.

# 35x35 Sigma Profile (Heavy)



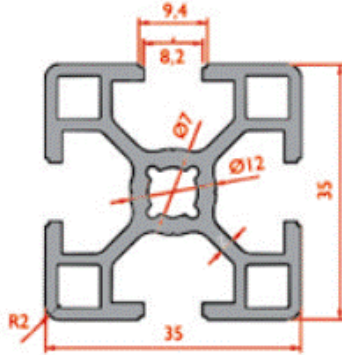
Code: 23 35x35 Sigma Profile

Physical structure design for the forces in place that require the use of weights will supply compliance.

Conveyor stands, partitions, desks, etc...

Dış Ebat	Malzeme	L (m)	Atalet Momenti		Mukavemet Momenti		Alan	Kütle	Stok Kodu
			$I_x$	$I_y$	$W_x$	$W_y$			
35 x 35	6063	6	5,7 cm <sup>4</sup>	5,7 cm <sup>4</sup>	3,7 cm <sup>3</sup>	3,7 cm <sup>3</sup>	3,6 cm <sup>2</sup>	1,38 Kg/m.	23
35 x 35 L	6063	6	3,8 cm <sup>4</sup>	3,8 cm <sup>4</sup>	3,2 cm <sup>3</sup>	3,2 cm <sup>3</sup>	3,6 cm <sup>2</sup>	0,95 Kg/m.	11

# Sigma Profile 35x35 (Light)

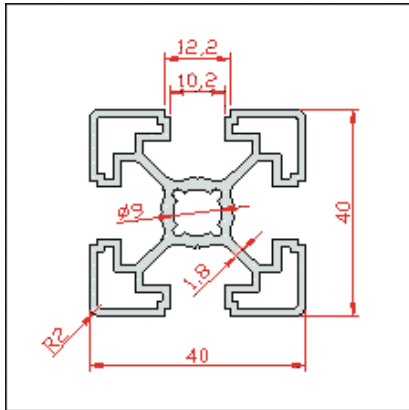


Code: 11 35x35 Light Sigma Profile

Light is used in making cabinets protection in machine construction. Light model provides cost advantages in the applications.

Dış Ebat	Malzeme	L (m)	Atalet Momenti		Mukavemet Momenti		Alan	Kütle	Stok Kodu
			$I_x$	$I_y$	$W_x$	$W_y$			
35 x 35	6063	6	5,7 cm <sup>4</sup>	5,7 cm <sup>4</sup>	3,7 cm <sup>3</sup>	3,7 cm <sup>3</sup>	3,6 cm <sup>2</sup>	1,38 Kg/m.	23
35 x 35 L	6063	6	3,8 cm <sup>4</sup>	3,8 cm <sup>4</sup>	3,2 cm <sup>3</sup>	3,2 cm <sup>3</sup>	3,6 cm <sup>2</sup>	0,95 Kg/m.	11

# 40x40 Profile (New)

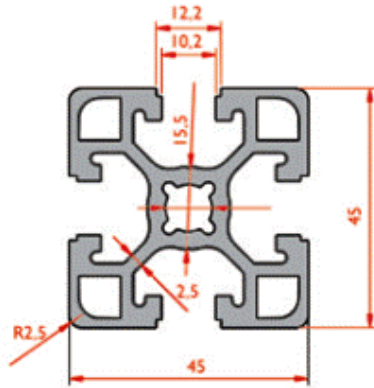


Code: 4 40x40 Light Sigma Profile

Standard model, according to the fine to structure light series, the power of which does not require places apply. Large and high cabinets are used to minimize the stretch to more. Speaking chair, advertising stand, made a presentation board can be given some examples of application areas.



# 45x45 Sigma Profile (Heavy)

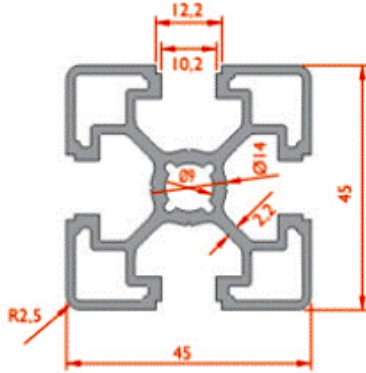


Code: 21 45 X 45 Sigma Profile (Heavy)

Heavy series is great strength in the machine chassis interconnection feet long conveyor group, trolleys and automation processes, pneumatic and associated bodies for the preferred construction of the desk are some places.

Dış Ebat	Malzeme	L (m)	Atalet Momenti		Mukavemet Momenti		Alan	Kütle	Stok Kodu
			$I_x$	$I_y$	$W_x$	$W_y$			
45 x 45	6063	6	13,8 cm <sup>4</sup>	13,8 cm <sup>4</sup>	6,1 cm <sup>3</sup>	6,1 cm <sup>3</sup>	7,5 cm <sup>2</sup>	1,96 Kg/m.	21
45 x 45 L	6063	6	11 cm <sup>4</sup>	11 cm <sup>4</sup>	4,8 cm <sup>3</sup>	4,8 cm <sup>3</sup>	5,7 cm <sup>2</sup>	1,40 Kg/m.	12

# Sigma Profile 45x45 (Light)

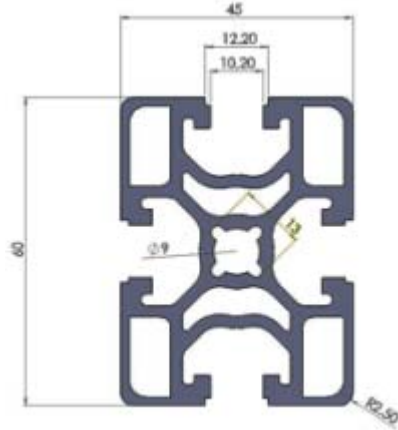


Code: 12 45x45 Light Sigma Profile

Standard model, according to the fine to structure light series, the power of which does not require places apply. Large and high cabinets are used to minimize the stretch to more. Speaking chair, advertising stand, made a presentation board can be given some examples of application areas.

Dış Ebat	Malzeme	L (m)	Atalet Momenti		Mukavemet Momenti		Alan	Kütle	Stok Kodu
			I <sub>x</sub>	I <sub>y</sub>	W <sub>x</sub>	W <sub>y</sub>			
45 x 45	6063	6	13,8 cm <sup>4</sup>	13,8 cm <sup>4</sup>	6,1 cm <sup>3</sup>	6,1 cm <sup>3</sup>	7,5 cm <sup>2</sup>	1,96 Kg/m.	21
45 x 45 L	6063	6	11 cm <sup>4</sup>	11 cm <sup>4</sup>	4,8 cm <sup>3</sup>	4,8 cm <sup>3</sup>	5,7 cm <sup>2</sup>	1,40 Kg/m.	12

# 45x60 Sigma Profile

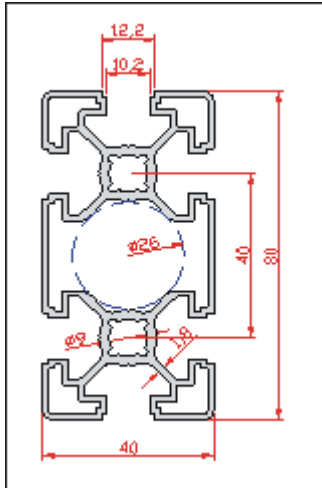


Code: 13 45x60 Sigma Profile

View of the cost and aesthetic design solutions and alternatives to have a structure filled with mass as a strong need for the machine chassis, the body is in space and accurate usage.

Dış Ebat	Malzeme	L (m)	Atalet Momenti		Mukavemet Momenti		Alan	Kütle	Stok Kodu
			$I_x$	$I_y$	$W_x$	$W_y$			
45 x 60	6063	6	36,4 cm <sup>4</sup>	21,8 cm <sup>4</sup>	11,9 cm <sup>3</sup>	10 cm <sup>3</sup>	11,2 cm <sup>2</sup>	2,62 Kg/m	13

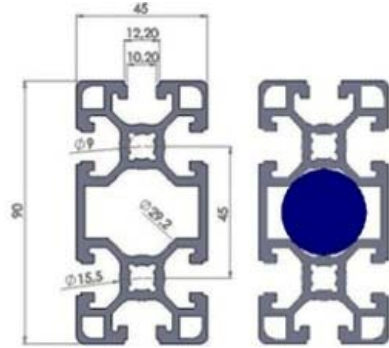
# 40x80 Profile (New)



CODE: 3 40x80 Light Sigma Profile

Areas of strength does not need created may be preferred. Lightweight chassis, large cabin and conveyor frame legs can be used.

# 45x90 Sigma Profile (Heavy)



Code: 25 45 X 90 Sigma Profile

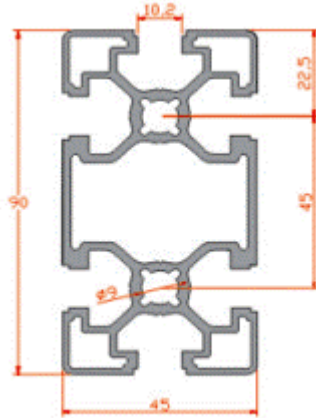
This profile of the machine body and chassis of heavy machinery is preferred. Physical structure as well as areas that tibia special conveyors in the production of body and chassis is torah.

New Design Feature:

45x90 profile contact point to create centers  $\varnothing 29.2$  circular 4 mile, bushings, and rings are inserted into the right opp systems capable of moving elements are mounted.

Dış Ebat	Malzeme	L (m)	Atalet Momenti		Mukavemet Momenti		Alan	Kütle	Stok Kodu
			$I_x$	$I_y$	$W_x$	$W_y$			
45 x 90	6063	6	123. cm <sup>4</sup>	32.7 cm <sup>4</sup>	22.5 cm <sup>3</sup>	14.4 cm <sup>3</sup>	15.6 cm <sup>2</sup>	3,46 Kg/m.	25
45 x 90 (L)	6063	6	82.1 cm <sup>4</sup>	23.9 cm <sup>4</sup>	18.4 cm <sup>3</sup>	10.7 cm <sup>3</sup>	11.4 cm <sup>2</sup>	2.52 Kg/m.	10

# Sigma Profile 45x90 (Light)

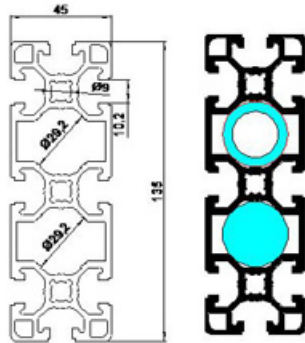


Code: 10 45 X 90 Sigma Profile (light)

The requirements of the strength of the profile does not provide heavy series where light series may be preferred. Lightweight chassis, large feet is available in chassis cab and conveyor.

Dış Ebat	Malzeme	L (m)	Atalet Momenti		Mukavemet Momenti		Alan	Kütle	Stok Kodu
			$I_x$	$I_y$	$W_x$	$W_y$			
45 x 90	6063	6	123. cm <sup>4</sup>	32.7 cm <sup>4</sup>	22.5 cm <sup>3</sup>	14.4 cm <sup>3</sup>	15.6 cm <sup>2</sup>	3.46 Kg/m.	25
45 x 90 (L)	6063	6	82.1 cm <sup>4</sup>	23.9 cm <sup>4</sup>	18.4 cm <sup>3</sup>	10.7 cm <sup>3</sup>	11.4 cm <sup>2</sup>	2.52 Kg/m.	10

# Sigma Profile 45x135



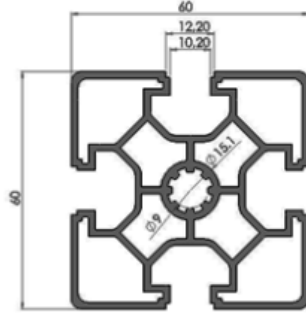
Code: 60 45X135 Sigma Profile

Mechanical bodies, strength requiring construction chassis, the ideal cross-section structure has. Wide belt conveyor side frame and the inside bearing profiles used as is.

New Design Feature:

45x135 profile centers circular 4 contact points by creating  $\varnothing 29.2$  spindle, bushings and rings inserted opportunity provided. Bearing systems capable of moving elements are mounted.

# 60x60 Sigma Profile



Code: 28 60x60 Light Sigma Profile

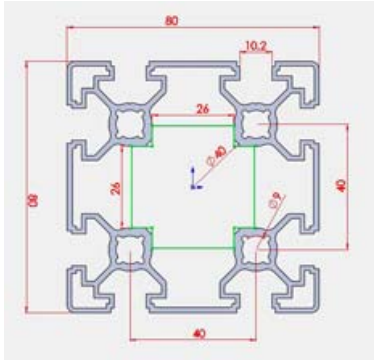
Light series of profiles of cost and aesthetic design solutions.

Mass has a structure as thin not necessarily strong overhead lines are used in pane.

Dış Ebat	Malzeme	L (m)	Atalet Momenti		Mukavemet Momenti		Alan	Kütle	Stok Kodu
			$I_x$	$I_y$	$W_x$	$W_y$			
60 x 60	6063	6	32,4 cm <sup>4</sup>	32,4 cm <sup>4</sup>	10,8 cm <sup>3</sup>	10,8 cm <sup>3</sup>	9,5 cm <sup>2</sup>	2,35 Kg/m	28



# 80x80 Sigma Profile (New)



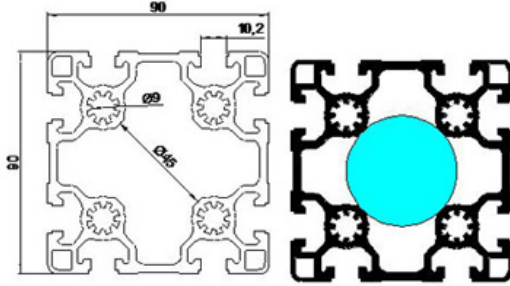
Code: 2 80X80 Sigma Profile (light)

In general, the formation of structures that provide light this profile panel, chassis and split foot high platforms are used in the beams. As high cost structure does not create.

New Design Feature:

80x80 Light profiles in the center contact point  $90^\circ$  in 4 creating planar bearing guide can be provided, block features movement in cross-section structure.

# Sigma Profile 90x90 (Light)



Code: 30 90X90 Sigma Profile (light)

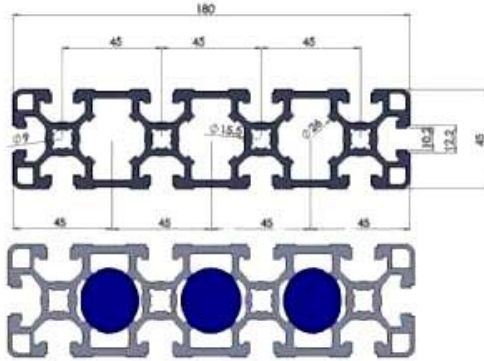
The formation of structures that provide more powerful machines that profile, provides the strength required in the chassis and foot. As the structure does not require high cost.

New Design Feature:

90x90 Light by creating profiles central contact point in the 4th round  $\varnothing 45$  shaft, bushings and rings are inserted into the right opportunity Bearing systems capable of moving elements are mounted.

Dış Ebat	Malzeme	L (m)	Atalet Momenti		Mukavemet Momenti		Alan	Kütle	Stok Kodu
			Ix	Iy	Wx	Wy			
90 x 90 (A)	6063	6	267 cm <sup>4</sup>	267 cm <sup>4</sup>	58.9 cm <sup>3</sup>	58.9 cm <sup>3</sup>	30 cm <sup>2</sup>	8 Kg/m.	30/A
90 x 90	6063	6	208 cm <sup>4</sup>	208 cm <sup>4</sup>	46.2 cm <sup>3</sup>	46.2 cm <sup>3</sup>	23.5 cm <sup>2</sup>	5.40 Kg/m.	30

# 45x180 Sigma Profile



Code: 15 45 X 180 Sigma Profile

Strength of the machines that require carcass, side chassis and strong physical structure for the preferred range are the ideal profile. At the same time the owner of the 3 pieces into the design of sliding bearings center, roller diameter 26 mm are manufactured to attach to.

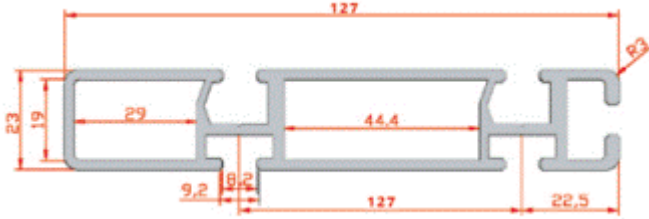
New Design Feature:

4 contact point in the circular center 45x180 create profile  $\varnothing 19$  shaft, bushings and rings are inserted into the right opportunity. Bearing systems capable of moving elements are mounted.

Dış Ebat	Malzeme	L (m)	Atalet Momenti		Mukavemet Momenti		Alan	Kütle	Stok Kodu
			$I_x$	$I_y$	$W_x$	$W_y$			
45 x 180	6063	6	768 cm <sup>4</sup>	58,2 cm <sup>4</sup>	88,6 cm <sup>3</sup>	29,7 cm <sup>3</sup>	27,3 cm <sup>2</sup>	6,58 Kg/m.	15



# 23x127 Conveyor Profile

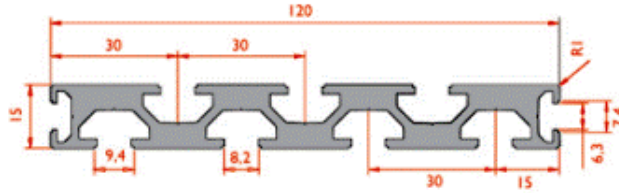


Code: 29 23x127 Conveyor Profile

Production lines and automation systems, PVC belt conveyor roller is used to create the main body. The adaptable mounting accessories allows the practice.

Dış Ebat	Malzeme	L (m)	Atalet Momenti		Mukavemet Momenti		Alan	Kütle	Stok Kodu
			$I_x$	$I_y$	$W_x$	$W_y$			
23 x 127	6063	6	22 cm <sup>4</sup>	104 cm <sup>4</sup>	9,4 cm <sup>3</sup>	18,9 cm <sup>3</sup>	13,4 cm <sup>2</sup>	2,57 Kg/m.	29

# 15x120 Surface Coating Profile



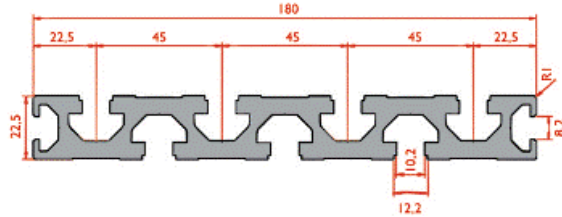
Code: 17 15 X 120 Surface Coating Profile

Other floor coverings profiles lighter weight than a simple purpose surface coatings are used.

Surface aesthetic appearance allows.

Dış Ebat	Malzeme	L (m)	Atalet Momenti		Mukavemet Momenti		Alan	Kütle	Stok Kodu
			$I_x$	$I_y$	$W_x$	$W_y$			
15 x 120	6063	6	110,4 cm <sup>4</sup>	2,2 cm <sup>4</sup>	27,6 cm <sup>3</sup>	6,1 cm <sup>3</sup>	9 cm <sup>2</sup>	2,4 Kg/m.	17

# 22.5x180 Surface Coating Profile



Code: 16 22.5 X 180 Surface Coating Profile

Strong surface coating machine tray in profiled. Cnc, test equipment and machinery side of the base coating is used. Strong mechanical and pneumatic parts connected in the structure of advantage.

Dış Ebat	Malzeme	L (m)	Atalet Momenti		Mukavemet Momenti		Alan	Kütle	Stok Kodu
			$I_x$	$I_y$	$W_x$	$W_y$			
22,55 x 180	6063	6	581,2 cm <sup>4</sup>	11,9 cm <sup>4</sup>	66,7 cm <sup>3</sup>	14,6 cm <sup>3</sup>	21,8 cm <sup>2</sup>	5,55 Kg/m.	16